



Big-bore hoses

Application

Big-bore hoses are made of high-quality, synthetic special-rubber compounds. They are manufactured on state-of-the-art, electronically controlled large-hose units. The various production technologies guarantee an absolutely uniform product quality. An overriding quality assurance system to DIN EN ISO 9001 : 2000 monitors the production process throughout. These hoses are used wherever high quality and long service life are per se prerequisites for the efficient transport of all types of products. Typical application possibilities are to be found particularly in offshore technology, in material handling, large-tank units, the ironworks industry, mining and the building trade.

We manufacture these hoses to the customer's specific requirements, with inside diameters of 80 mm to >1200 mm.

Kindly send us your detailed inquiry!

Description

- › Applications:
- › Wastewater hoses
- › Concrete- and cement-handling hoses
- › Bunker hoses (light- and heavy-weight types)
- › Sewage hoses
- › Fish pump hoses
- › Liquid gas hoses (e.g. for butane, propane)
- › Granulate transport hoses
- › Industrial hoses (general)
- › Cooling hoses for industrial plants
- › Compressed air hoses
- › Oxygen hoses
- › Sludge hoses
- › Floating hoses
- › Spiral hoses (general)
- › Underwater hoses





Big-bore hoses

Couplings

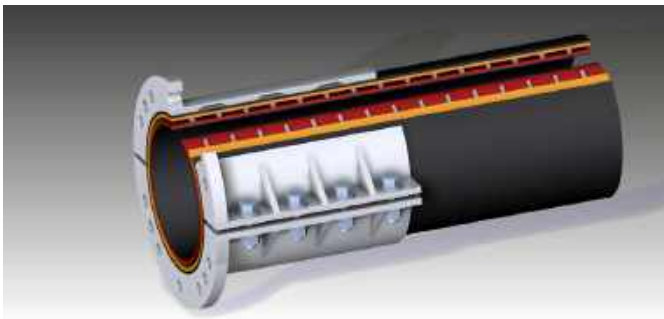
Socket ends and flange dimensions

The dimensions of the expanded socket ends are manufactured to your specifications. Flange dimensions are matched to the required connections.

Connections

Big-bore hoses can be manufactured in the requisite dimensions and with the desired connection to satisfy operating conditions of all kinds.

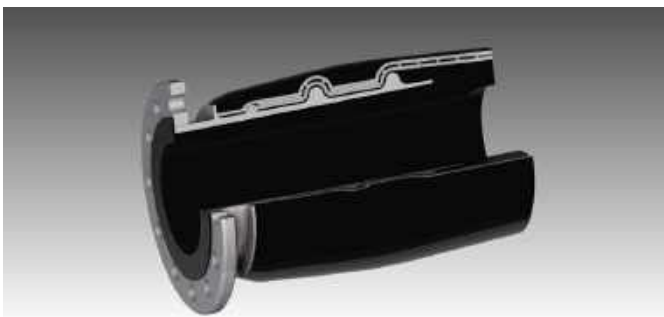
ContiTech offers the following connection types:



› Split flange, e.g. compact conveyor hose systems



› Integral rubber flange, optional with steel backing flange



› Integral steel flange, concealed attachment, vulcanized in, without lining drawn through



› Beaded end with swivel steel backing flange

